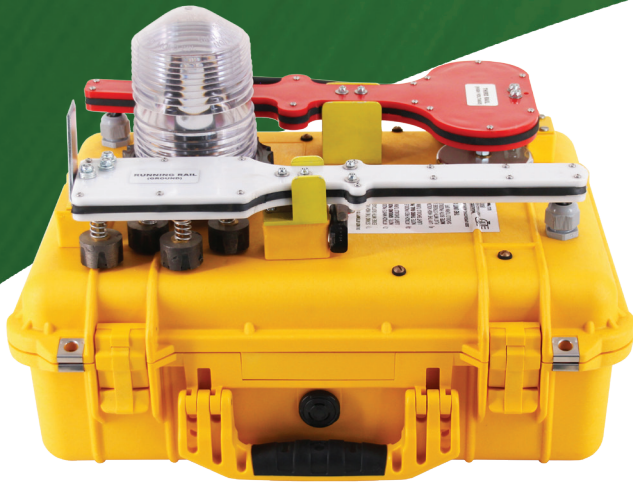




THIRD RAIL VOLTAGE PROTECTOR WITH ENHANCED FEATURES

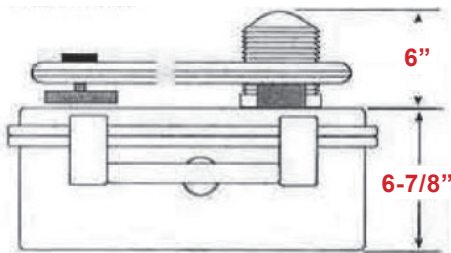
Automatically notifies workers that power to the third rail has been restored

- Safety yellow polypropylene case with built-in carry handle durable enough to withstand a 4-foot drop onto concrete
- White LED strobe visible up to 1000ft in daylight
- Dual-waterproof 115dB sirens
- White running rail paddle and red third rail paddle with magnets and 8 feet of internally spooling cable
- Rated to operate for up to 8 minutes in a continuous alarm state at a maximum of 850V DC
- Indicator LED notifies user when batteries need to be replaced and built in test function allows user to verify if unit is working properly
- Operating temperature range: -20°F to 125°F
- Box dimensions: 15-1/3" L x 18-1/2" W x 12-7/8" H
- Weight: 24 lbs

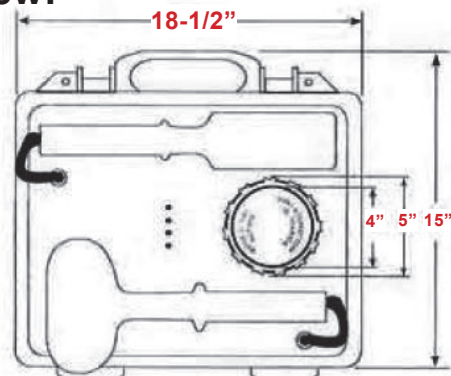


WSAD Series

Side view:



Top view:



Paddles (Underside View):

